

Kesheng's metallized segmented film capacitor used in the segmented film, is a metallized polypropylene film with zinc-aluminum alloy thickened edge and plating fuse pattern. Using this latest and unique design of the segmented film capacitor, and no extra add fuse or explosion-proof ring, customers can use it more safely.

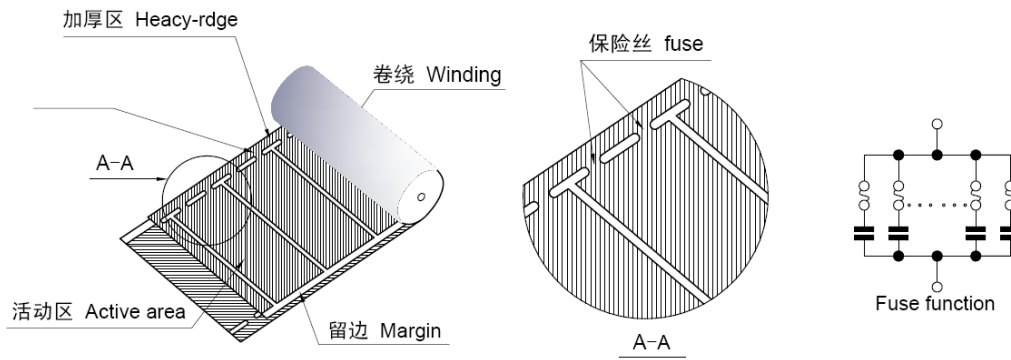
Because what makes this segmented film unique is that the miniature fuse needed for the capacitor is plated on the surface of the film together during evaporation, adding countless fuses to the metal coating, effectively prevent the damage spread of the weak point to the capacitor, improve the safety of the capacitor and prolong the service life.

Safety Protection Principle of Segmented Film

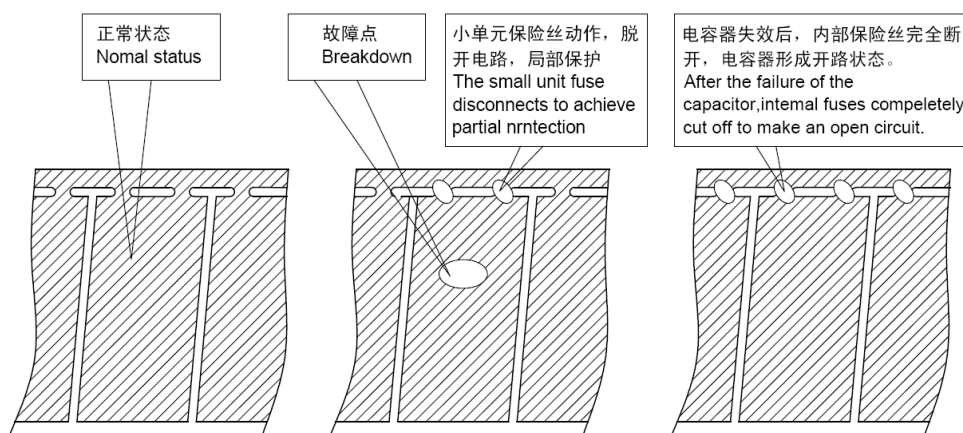
The metallized segmented film can protect itself under electric load and has the function of safety and explosion protection. If applied to a capacitor, in the case of excessive load in use, the dielectric is subjected to a very high voltage shock, or the segmented film is broken down, the fuse in the segmented film acts, the damage point, the weak point, the bad point and so on fault separation, does not affect the other part, and the capacitor will separate the circuit from the dielectric and continue to operate without influence.

The function of segmented film is to rely on fuse sensitive reaction, effectively achieve self-protection, explosion-proof function, and can greatly prolong the service life of capacitors.

Example: Structure diagram of T type segmented film (safety film):



Example: Different state diagram of T type segmented film (safety film):



安全膜不同状态 Different status of the safety films

The segmented film capacitor (S3 capacitor)

Capacitors designed and manufactured with metallized segmented film are called segmented film capacitors, also known as S3 capacitors. Unique thin film dielectric design, adding numerous fuse on the metal

coating, so that the capacitor with protective device, explosion-proof function. If the dielectric inside the capacitor fails, or because of the situation of overvoltage, overcurrent impact, or overheating, the appearance of the capacitor will remain intact and will not cause damage or deformation or explosion. Failure will not cause the capacitor to produce smoke or fire. the segmented film capacitor can be separated its faults from the circuit because of the high safety protective device to achieve high safety and high quality standard capacitors.

Main features of the segmented film capacitor (S3 capacitor)

Dry non-inductive structure, low loss tangent value, superior self-healing performance.

In the case of overload, the capacitor will automatically open circuit, will not catch fire or smoke, safety, environmental protection, quiet and no damage.

The breakdown part of the capacitor is separated without affecting the other parts, and the capacitor can continue to work properly.

Using this latest and unique design of the segmented film capacitor, and no extra add fuse or explosion-proof ring.